



The Hunter Panels SIP WD Fastener is intended to mechanically attach Cool-Vent and H-Shield NB to wood substrates. The Hunter Panels SIP WD Fastener has the following features:

- FM approved—plates not required
- Pull-out values for plywood
- Star/spider head eliminates need for washer and offers dramatically increased pull-out value
- Multiple bits included in each pail
- 100% American made
- Fast, one-step installation
- No pre-drilling

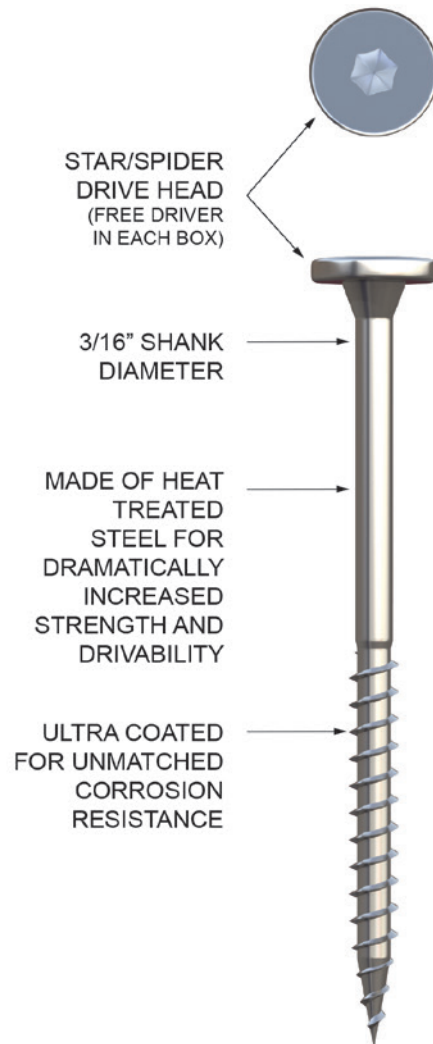
Test Description	Typical Value
Pull-through (lbs)	630
Pull-out (lbs):	
1/2" plywood	442
5/8" plywood	459
3/4" plywood	710
Douglas Fir (1" pen.)	768

Fasteners should never be struck with a hammer during installation.

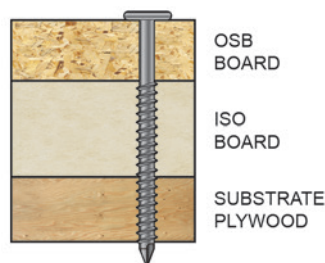
PHYSICAL DATA CHART

Head Diameter	.625"
Thread Diameter	.240"
Shank Diameter	.190"
Fastener Length	3.5", 4", 4.5", 5", 5.5", 6", 6.5", 7", 7.5", 8", 9", 10", 11", 12", 13", 14"

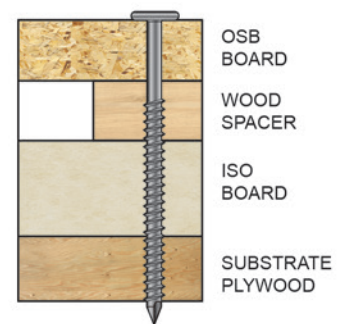
Minimum fastener penetration into OSB/plywood decks is 3/4" beyond the underside of the deck. Minimum penetration into plank/T&G decks is 1.0". Values per FM 4470.



H-SHIELD NB



COOL-VENT



Energy Smart Polyiso