



# 18 - 22 GAUGE STEEL DECKS

## FASTENING INFORMATION

The Hunter Panels SIP SD Fastener is intended to mechanically attach Cool-Vent and H-Shield NB to 18 - 22 gauge corrugated steel decking. The Hunter Panels SIP SD Fastener has the following features:

- FM approved—plates not required
- Pull-out values for steel
- Star/spider head eliminates need for washer and offers dramatically increased pull-out value
- Multiple bits included in each pail
- 100% American made
- Fast, one-step installation
- No pre-drilling when used on a steel deck

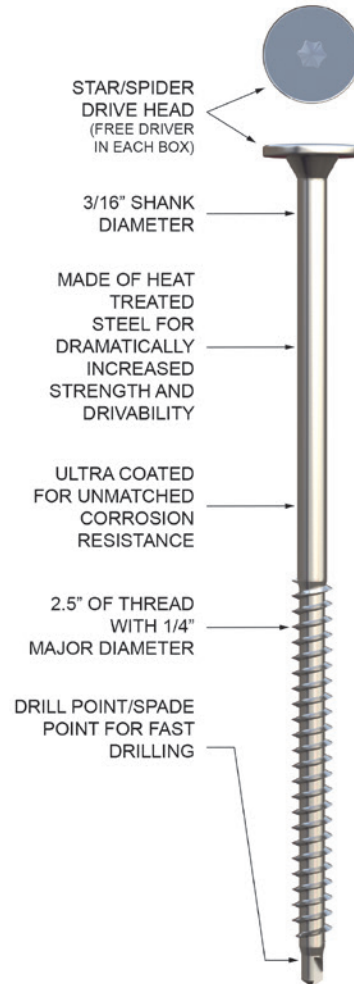
Test Description	Typical Value
Pull-through (lbs)	630
<b>Pull-out (lbs):</b>	
22 gauge metal	510
18 gauge metal	920

Fasteners should never be struck with a hammer during installation.

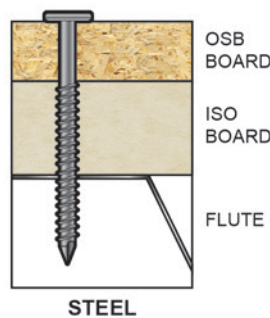
### PHYSICAL DATA CHART

Head Diameter	.625"
Thread Diameter	.240"
Shank Diameter	.190"
Fastener Length	3.5", 4", 4.5", 5", 5.5", 6", 6.5", 7", 7.5", 8", 9", 10", 11", 12", 13"

Minimum 1" penetration into top flute of steel deck.  
Values per FM 4470



H-SHIELD NB



COOL-VENT

