



HEAVY DUTY STEEL DECKS

FASTENING INFORMATION

Hunter Panels SIP HD Fastener is intended to mechanically attach Cool-Vent or Hunter NB to 16 gauge or greater corrugated steel decking. Hunter Panels SIP HD Fastener has the following features:

- FM approved—plates not required
- Pull-out values for steel
- Star/spider head eliminates need for washer and offers dramatically increased pull-out value
- Multiple bits included in each pail
- 100% American made
- Fast, one-step installation
- SIP/HD is for 16 gauge or thicker steel deck
- No pre-drilling

Test Description	Typical Value
Pull-through (lbs)	630
Pull-out (lbs):	
Structural Steel 16 ga	770

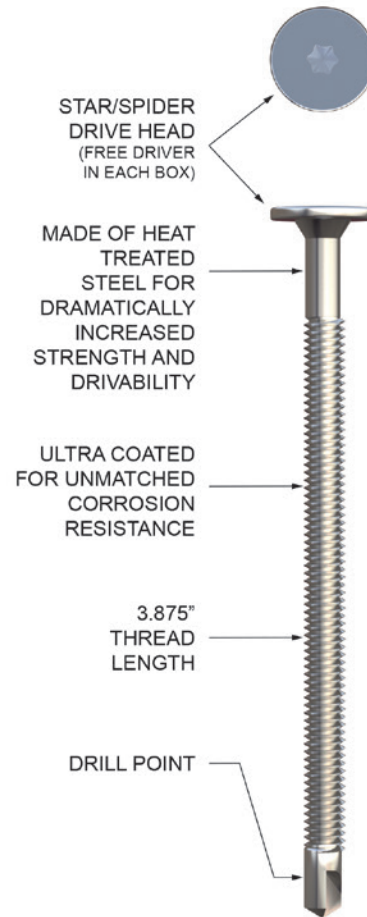
Fasteners should never be struck with a hammer during installation.

PHYSICAL DATA CHART

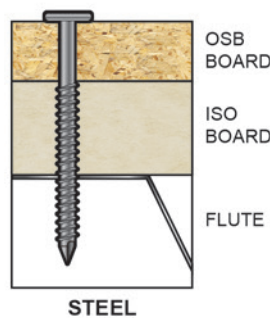
Head Diameter	.625"
Thread Diameter	3.875"
Shank Diameter	.212"
Fastener Length	4.5", 6.0", 8.0"

Minimum 1" penetration into top flute of steel deck.

Values per FM 4470



H-SHIELD NB



COOL-VENT

