

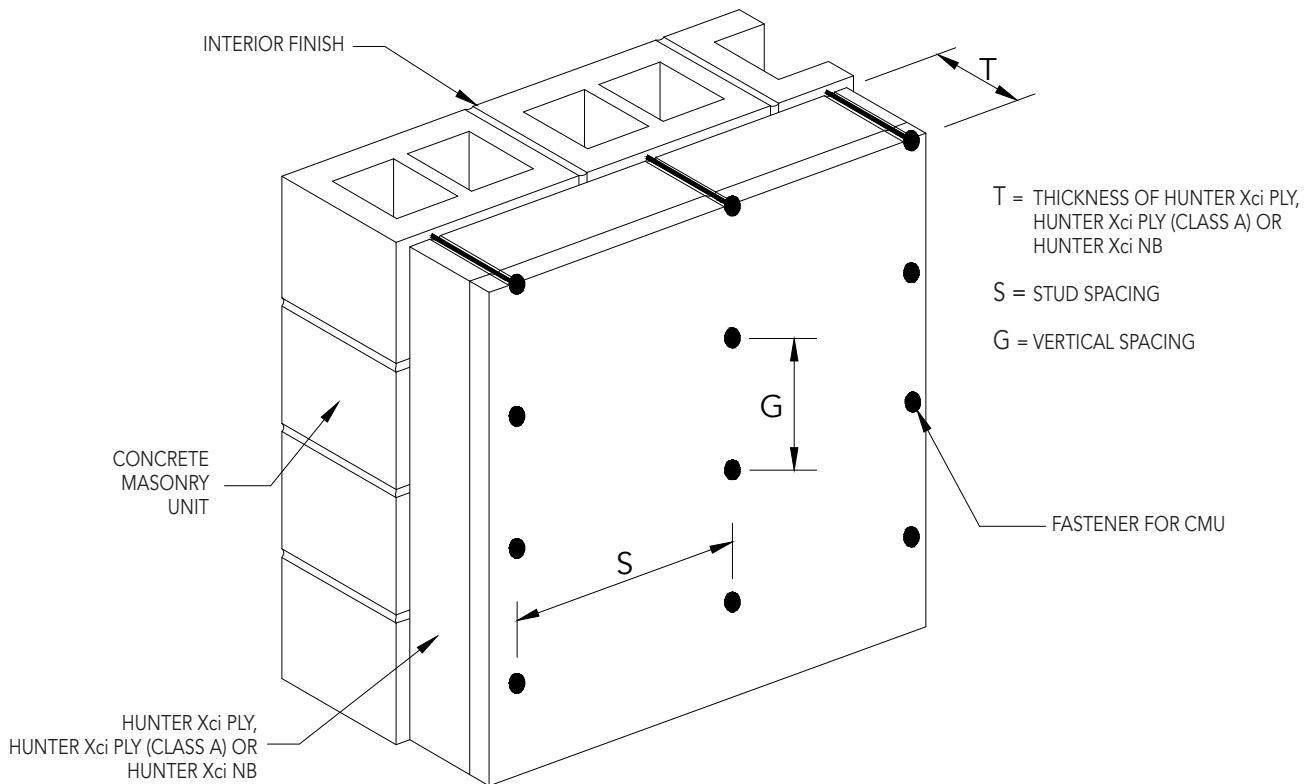
HUNTER Xci PLY, HUNTER Xci PLY (CLASS A) AND HUNTER Xci NB INSTALLATION GUIDELINES



HUNTER
CONTINUOUS INSULATION

Attachment to CMU Wall

XCI WC1D.1



Place fasteners into webbing of blocks or grouted cells.
Avoid mortar joints by at least 2 inches in all directions

Detail is intended to be a guide for installation of Hunter Panels products only. Detail shown is suitable for use in NFPA 285 complaint wall assemblies with Hunter Xci Ply and Hunter Xci Ply (Class A) products only. Reference Hunter Panels NFPA 285 evaluation reports for further information.