

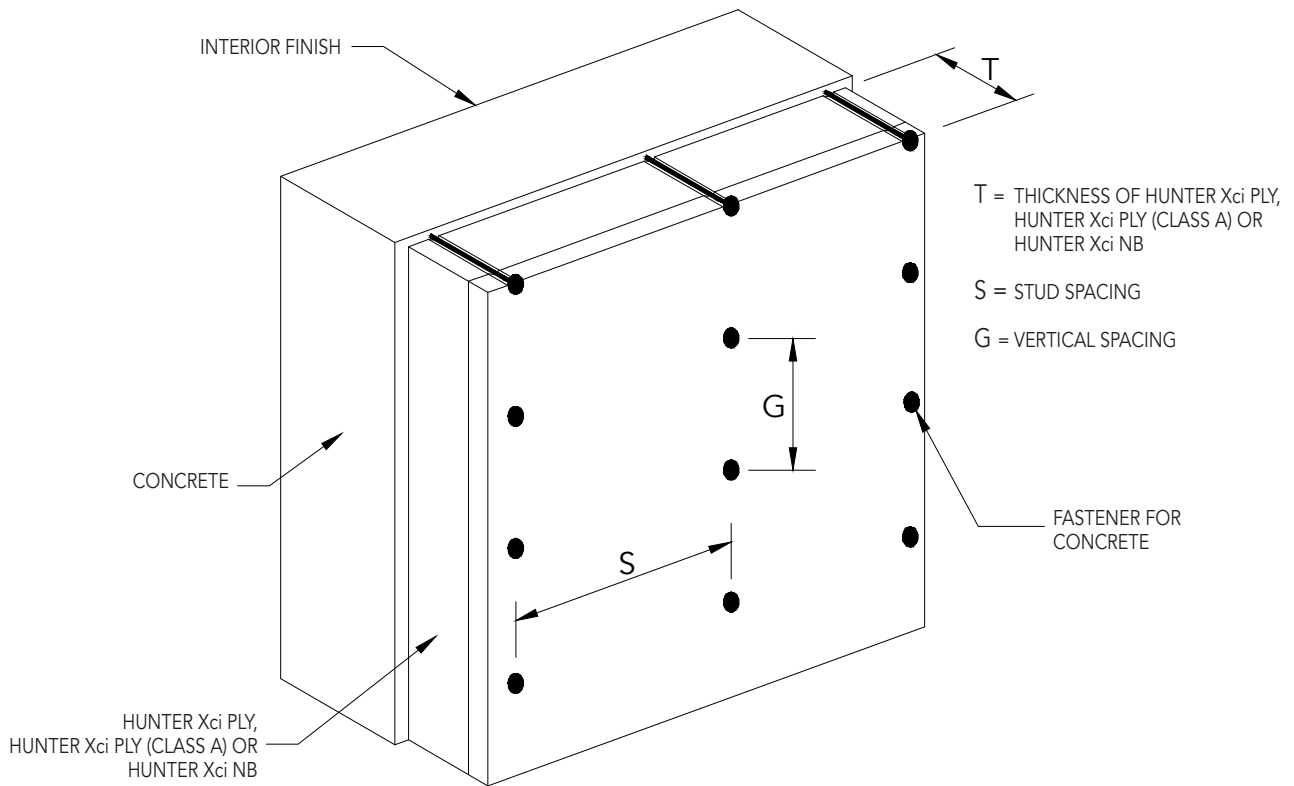


HUNTER Xci PLY, HUNTER Xci PLY (CLASS A) AND HUNTER Xci NB INSTALLATION GUIDELINES

HUNTER
CONTINUOUS INSULATION

Attachment to Concrete Wall

XCI WC1C.1



Detail is intended to be a guide for installation of Hunter Panels products only. Detail shown is suitable for use in NFPA 285 complaint wall assemblies with Hunter Xci Ply and Hunter Xci Ply (Class A) products only. Reference Hunter Panels NFPA 285 evaluation reports for further information.