

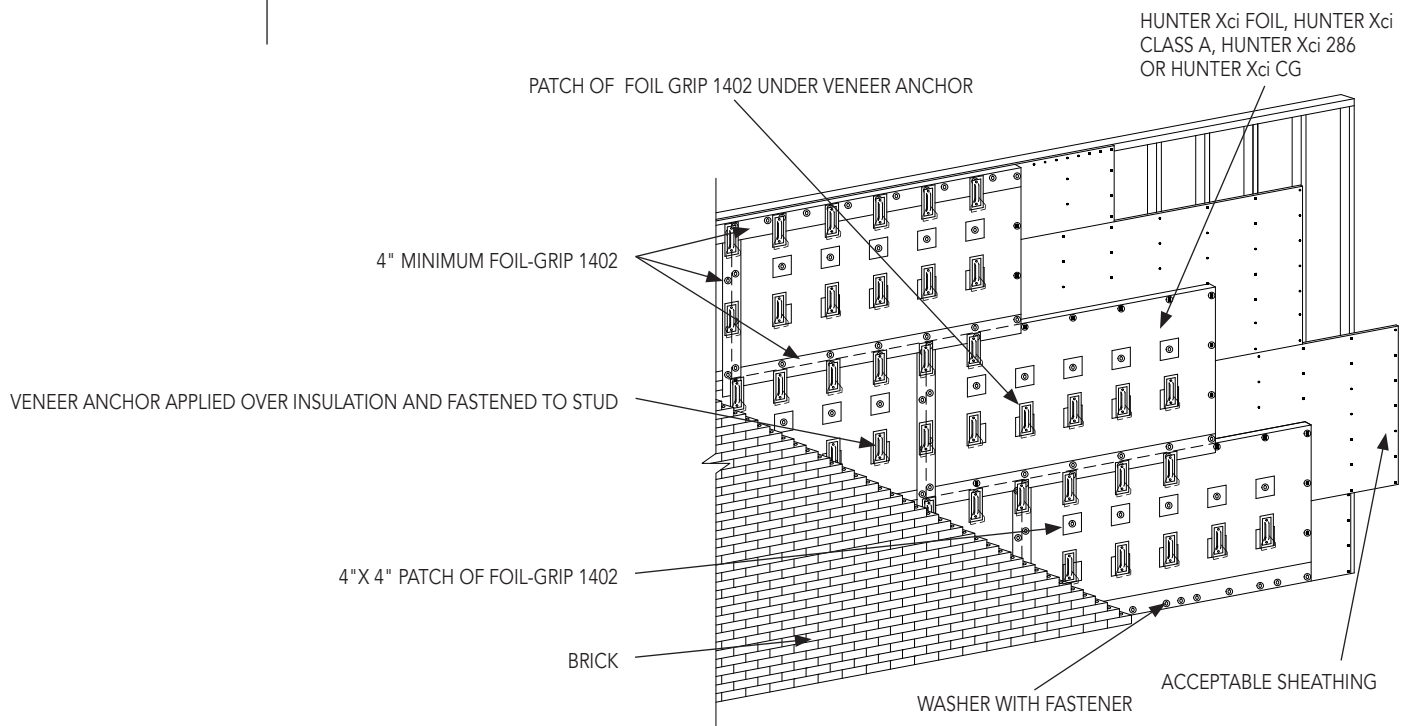
4'x8' Polyiso Insulation With Brick Ties – A-B-C

XCI AB3 A
XCI AB3 B
XCI AB3 C

- 1 Begin at base of wall from firm, permanent, or temporary support.
- 2 Pre-cut Hunter Xci polyiso to fit openings and projections. Stagger insulation and sheathing board joints minimum 6". Hunter Xci polyiso insulation boards are cut with a knife using a square to guide the cut or table saw.
- 3 Abut all joints tightly and ensure overall flush level surface.
- 4 Fill gaps between insulation boards with expanding spray foam or butter edge of board with approved sealant and strike flush. Expanding spray foam may also be applied onto the insulation board edges during installation. Ensure an airtight installation is achieved.
- 5 Verify all materials are installed in accordance with current Hunter Panels published literature and local code requirements.

XCI AB3A

4' x 8' Polyiso Insulation with Brick-Ties



NOTES

- 1 Follow Brick Tie Manufacturer installation instructions